

THE AIRPURA CENTRAL AIR SYSTEM

Airpura 
AIR PURIFIERS



A SOLUTION FOR YOUR ENTIRE HOME

Breathe clean with our innovative central air filtration system which will purify air in your entire home, office, or school throughout the day. This powerful system eliminates **99.97%** of all airborne particles, leaving you only clean and fresh air.



HEPA FILTER TRAPS 99.97% OF PARTICLES
ABSORPTION OF AIRBORNE CHEMICALS, GASES AND ODORS, EVEN THE SMALLEST OF PARTICLES (0.3 MICRONS).

CHEMICAL AND ODOR REDUCTION WITH CARBON FILTER

Antigens and pathogen control (including bacteria & viruses) using UV light

Chemicals, antigen & pathogen control using PCO technology

360°

POWERFUL

360° air intake and distribution purifies up to 570 square feet.



ULTRA QUIET PERFORMANCE

Simplified air flow resulting in reduced noise.



A COST-EFFECTIVE INVESTMENT

This central air purifier recirculates your indoor air instead of heating or cooling your outdoor air, resulting in energy savings.



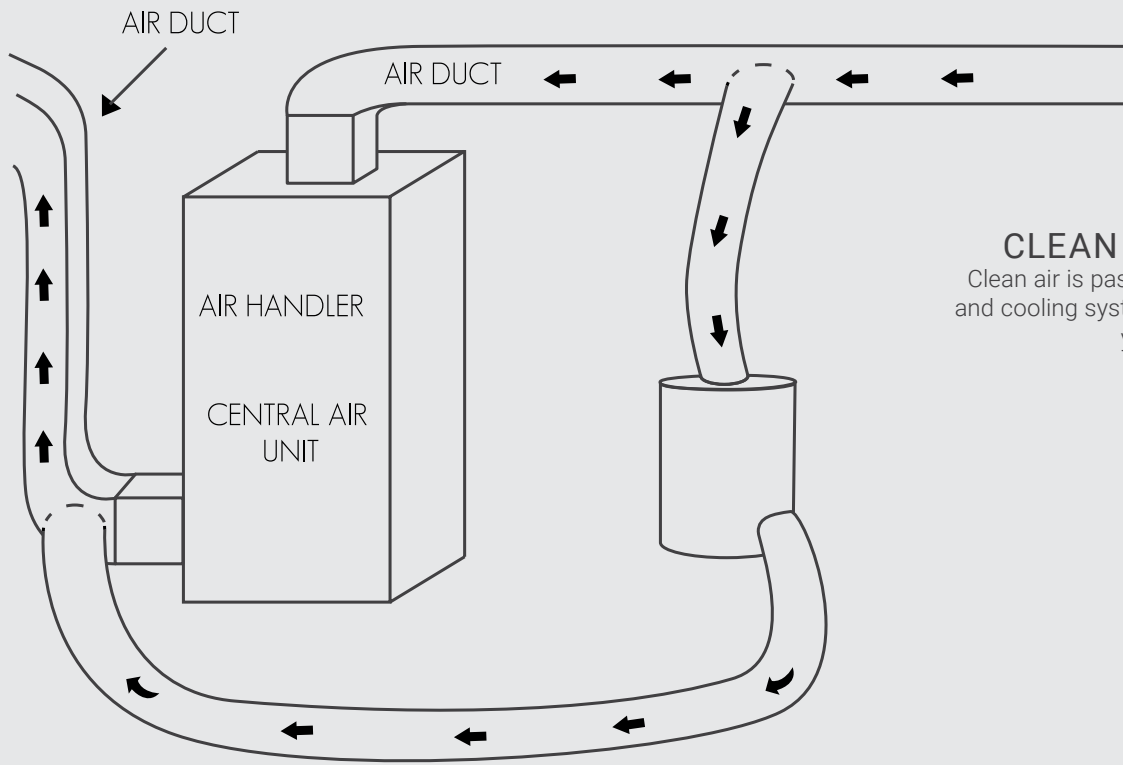
BUILT-IN MOTOR & FAN

Built-in motor and fan puts less pressure on existing HVAC system and allows for more fluid airflow.



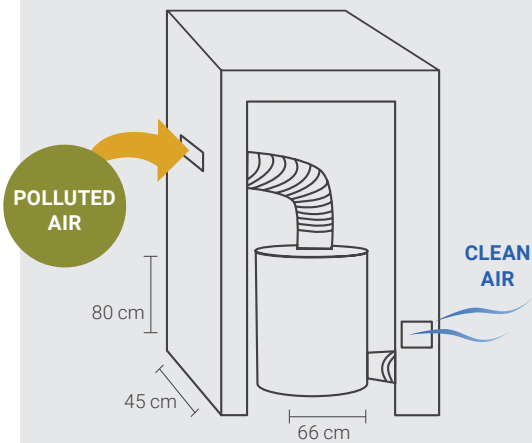
AFFORDABLE

Rather than purchasing multiple units for each room, one unit can service entire home.

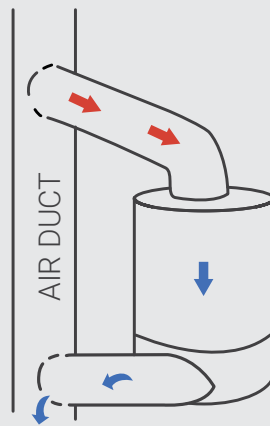


CLEAN AIR DELIVERY
 Clean air is passed through your heating and cooling system and supplied back into your home.

THE CONNECTION POSSIBILITIES ARE ENDLESS.

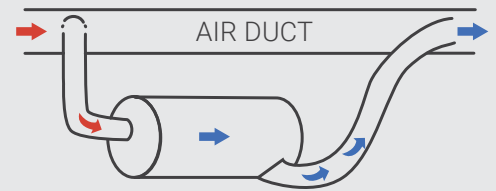


Stand-alone system

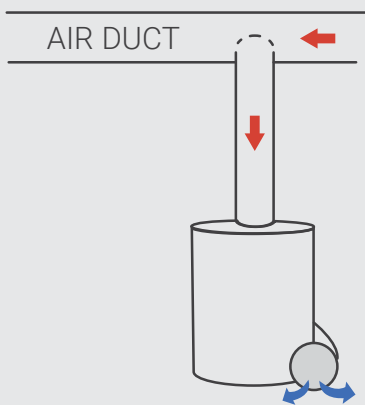


Vertical duct bypass

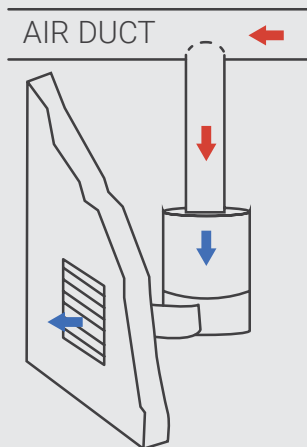
- Dirty air
- Clean air



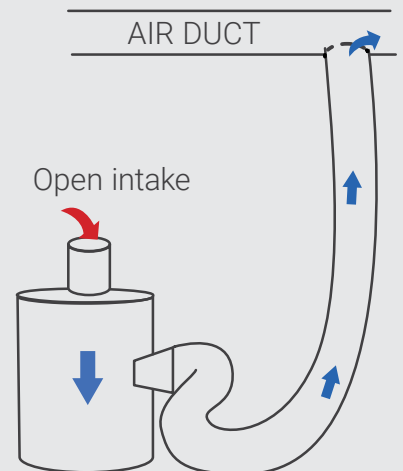
Horizontal duct bypass



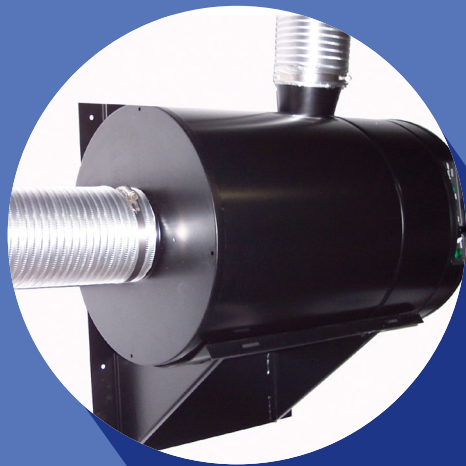
Extraction from duct



Duct to wall vent



Home to duct



4 FILTRATION SOLUTIONS TO MEET YOUR NEEDS

F600-W : Ultimate filtration system designed to remove formaldehyde and a wide range of airborne chemicals.

P600-W : Revolutionary cleaning solution using UV light to dramatically reduce VOCs, airborne chemicals, odors and microorganisms.

UV600-W : Complete filtration to remove airborne microorganisms and chemicals.

V600-W : A filtration system to handle most VOC's and chemical pollutants.

We Care About the Air You Breathe



Since 2004, Airpura has been addressing the multitude of issues that are responsible for indoor air pollution. Our customized solutions have brought clean indoor air to millions of people worldwide.

Contact us now to find out how we can bring clean air to your home.

Airpura 
AIR PURIFIERS