

Product Summary

The BA-1000 Ion Distribution System is changing the game in Air Purification Technology. These systems offer a 24/7, proactive approach. The BA-1000 ionizer is UL-2998 certified for zero ozone emissions and UL-867 certified. These units are designed for room installation to proactively attack airborne pathogens directly at the breathing zones. BSE's Ion Distribution System works independently or in conjunction with the HVAC system. BSE units are manufactured in to feature a "Plug and Play" industrial grade construction. The advanced aeroacoustic discharge ports coupled with our proprietary ionization technology, optimize the ion plume discharge, and elongates the ion's life span to correspond geometrically to the room's breathing zones. The result is a continuous discharge of millions of ions saturating the room breathing zones and mitigating the airborne pathogens.

Total Ion Output

| Fan Output | 2 ft | 5 ft | 10 ft | 15 ft |
|------------|-------------|---------|--------|--------|
| 100% | 1.2 Million | 285,000 | 50,000 | 20,000 |



Benefits



Pathogens Killed (Bacteria, Viruses, Mold), Helps to Control Allergens/ Asthma*, Prevents Sick Building Syndrome



Particle Reduction and Smoke Control



Odors Neutralized by destroying VOCs



Energy Savings of 30% by Reducing Outdoor Air Intake by up to 75%.

Standard Features

The unit covers up to 225 square feet.

Very low maintenance is required!

Commercial Applications

- ✓ Elevators
- ✓ Healthcare
- ✓ Gyms
- ✓ Public Restrooms
- ✓ Hospitality
- ✓ Restaurants
- ✓ Mail Rooms
- ✓ Public Transportation
- ✓ Senior Living Facilities
- ✓ Office Building Lobby
- ✓ Waiting Areas

Important Information

Competitor's ion output ratings generated directly at the needlepoint brushes can be deceiving as is shown by our testing and published numbers. Ionization units not installed directly in the breathing zones are not conducive for maximizing ion output at all the breathing zones. See the Total Ion Output table for ion output directly to the breathing zones. Please evaluate the HVAC air distribution system (duct, insulation, vav terminals, dampers turning vanes) and account for the coanda effect of air distribution diffusers. These variables could result in little to no ions being discharged to the breathing zones. BSE's Ion Distribution products are rated and tested for ion output from 2 feet to 25 feet away from the needlepoint brushes at the breathing zones for real world performance. Please make sure when specifying Bipolar Ionization that the ion's per cc/sec are commensurate to the distance required at the breathing zones to mitigate airborne viruses.

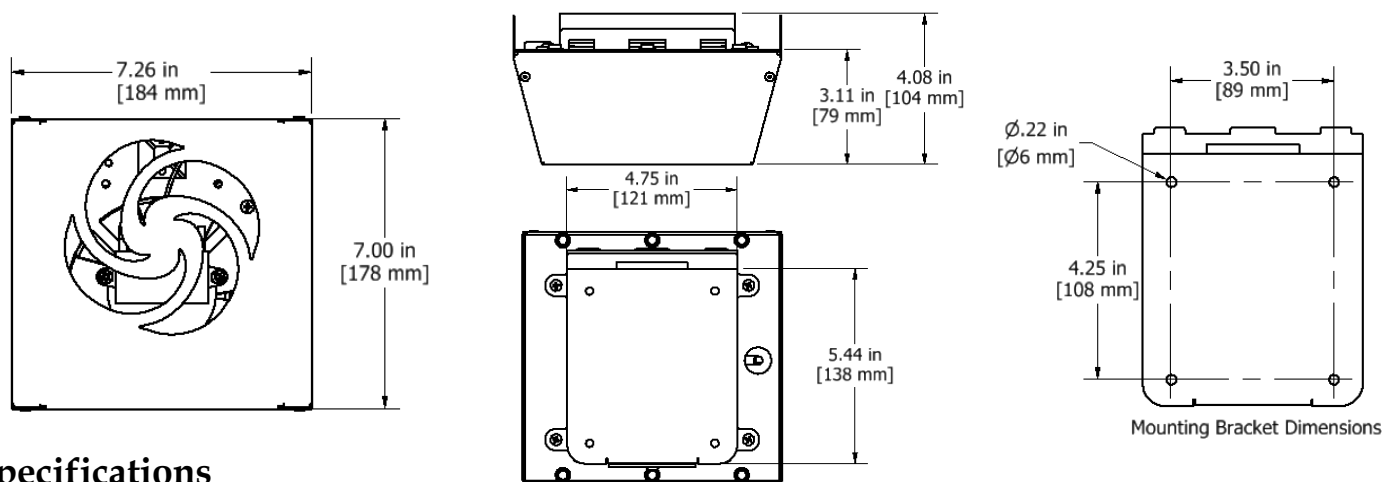


BSE, Inc.
www.bsesales.com
T: (866) 360-5675
Sales@bsesales.com

BA-350 Ion Distribution System

Ionization Product Specifications

Revision: D 2/9/2021



Specifications

| | |
|---------------------------|---|
| Model | BA-350 |
| Unit Dimensions | Depth 4.1(104)/Width 7.3(184)/Height 7.0(178) inches (mm) |
| Material Casing | Steel |
| Plug Length | 12 Feet |
| Fan | Tube Axial w/ Shaded-Pole Construction |
| Airflow Capacity | 115 CFM |
| Static Pressure | 0.39 in H ₂ O (97.1 Pa) |
| Max Speed | 3,150 RPM |
| Sound Output* | 47.8 dB |
| Fan Bearings | Ball |
| Weight | 4.6 lbs. |
| Operating Temperature | 14°F – 158°F (-10°C - 70°C) |
| Electrical: Voltage Input | 85V - 125V AC |
| Power Consumption | 22-Watt |
| Frequency | 50/60 Hz |
| Current | .3 A |
| Certifications | UL 2998, UL 867 ETL Listed, Fan Blade UL 94V-0 |

* Sound Output was measured at 5 feet from the unit.



BSE, Inc.
www.bsesales.com
 T: (866) 360-5675
Sales@bsesales.com